

tracpode™ 150 kg



Confined Space Tripod

tracpode™ 150 kg

Confined Space Tripod

ADVANTAGES

- The only tripod on the market which is approved for use in safeguarding two users each weighing up to 150 kg.
- The only temporary anchor point to have been approved by a regulatory body as a device to which fall arrest, lifting and rescue systems can all be connected.
- The only tripod currently available that can be used to perform rope access work.

The tracpode™ is a mobile anchor point, for working in confined spaces, handling loads and performing rescue operations.

The temporary anchor point is tested to stop the fall of two operators weighing 150 kg each; including their equipment and tools. It can also be used as an anchor point for lifting, with the capability to raise a maximum load of 500 kg, provided the strap is fitted to the feet.

Made from lightweight aluminium, the tracpode™ can be folded up small enough to be transported easily in most vehicles.



MULTIPLE OPERATION

- Can be used as a temporary anchor point to which fall arrest, lifting and rescue systems can be connected.
- Enables two operators, each weighing up to 150kg, to work safely.
- Each leg can receive, via a Tractel® leg bracket, a blocfor™ R 20/30 fall-arrest system or a caRol™ TR or a caRol™ TS winch.



tracpode™ 150 kg

Confined Space Tripod

CHARACTERISTICS - LEGS

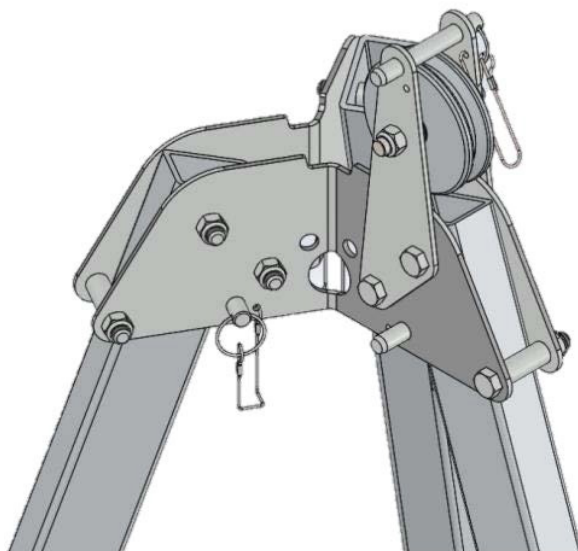
- The design of the tubular legs ensures the system is both strong and very stiff.
- The legs can be extended in increments of 20 cm.
- The locking pin and spring loaded clips are attached permanently to the tubular leg sections by small cables to keep all the components of the assembly together.
- A leg bracket can be secured to each leg of the tracpode™ and used as a mount for blocfor™ fall arresters or a caRoI™ winch.
- There are three possible mounting locations on the leg of the tracpode™: top, middle and bottom.
- When a fall arrester or winch is fitted to one of the legs of the tracpode™, **a pulley kit must be fitted to the head.**
- The head is fitted with three spacer bushes, one for each leg, that prevent the tracpode™'s legs from moving past their "open" position.
- The feet are fitted with non-slip pads made of vulcanised rubber. Holes in these pads can be used to secure the tracpode™ to the ground using fasteners or anchor bolts.

CHARACTERISTICS - LEG BRACKET

The anchor points located on the legs of the tracpode™ have been designed:

- To receive blocfor™ 20/20r/30/30r 150 kg fall arresters.
- To receive caRoI™ R rescue winches (EN 1496).
- To receive caRoI™ TS lifting winches, with a max capacity of 250 kg.

N.B.: In all these configurations, the tracpode™ 150 kg may be used **WITH NO** strap fitted to its legs



CHARACTERISTICS - HEAD

The head of the tracpode™ 150 kg is equipped with 3 anchor points. They have been designed:

- To support all types of fall-arrest or evacuation system (2 x 150 kg).
- To support a lifting winch with a WLL of 250 kg
N.B.: In this configuration, the tracpode™ may be used **WITH NO** strap fitted to the feet of the tracpode™.
- To support a lifting winch with a WLL of 500 kg
N.B.: In this configuration, the tracpode™ **CAN ONLY BE USED** if the strap is fitted to the feet of the tracpode™.

As an option, a pulley kit can be fitted the head to guide the various cables used (fall arrest, lifting or rescue).

tracpode™ 150 kg

Confined Space Tripod

ROPE ACCESS AND POSITIONING TECHNIQUES

If the user needs to move to different positions while suspended under the tracpode™, the user must comply with legislation on rope access and positioning techniques.

For this type of work, the system must consist, as a minimum, of:

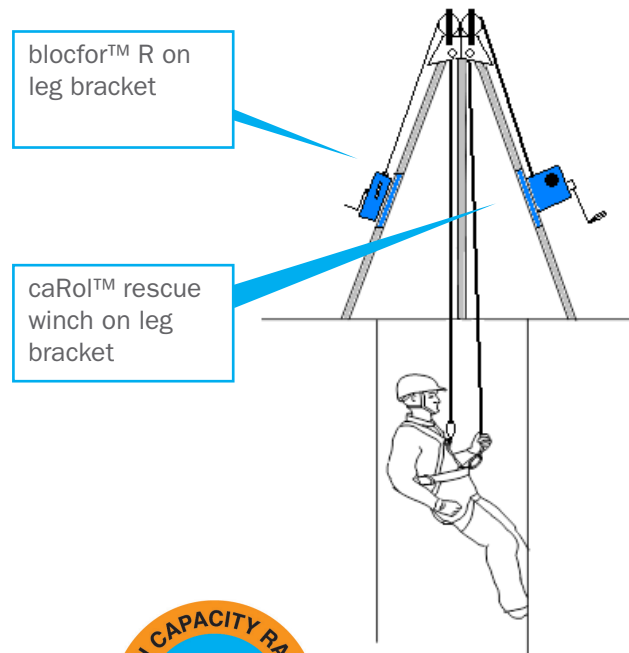
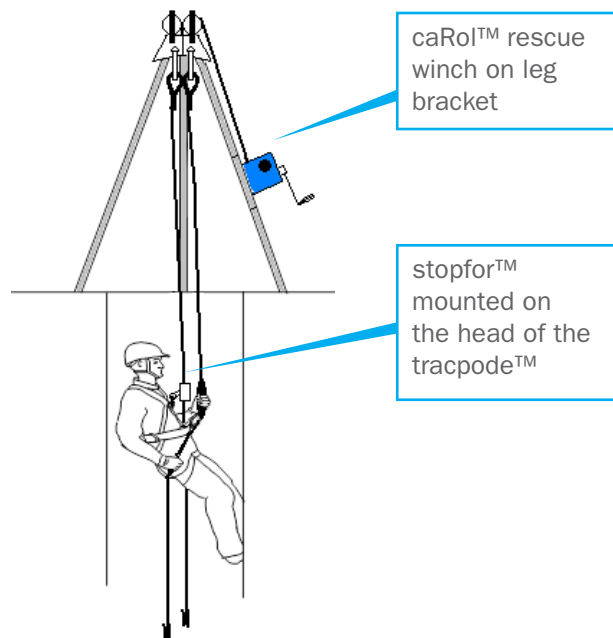
- An access rope, which provides a means of access, raising/lowering and support.
- A safety rope connected to a fall-arrest system (a fall-arrester on a flexible belaying support such as a stopfor™ or a blocfor™ self-retracting fall arrester).

These two ropes must be secured separately to two anchor points in accordance with standard EN795, or to an anchor point whose load bearing capacity has been assessed and found to be satisfactory by the employer or by a competent person.

The operators must wear and use a suitable fall-arrest harness (EN 361 and EN 813) which must be attached to the safety rope and to the access rope.



TYPICAL SET UP FOR ROPE ACCESS WORK



TRACTEL UK LTD

Old Lane, Halfway, Sheffield, S20 3GA

Telephone: 0114 248 22 66 Email: sales.uk@tractel.com



www.tractel.com